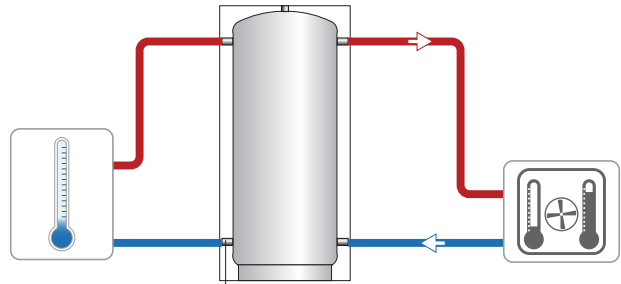


ACQUA REFRIGERATA ZINCATO ZC 20 VT

VERTICAL GALVANIZED CHILLED WATER TANK



| PRESSURE | TEMPERATURE |
|----------|--------------|
| Pmax | Tmax |
| 6 bar | -10 / +60 °C |



TECHNICAL DESCRIPTION

Vertical chilled water tanks are used for air conditioning installations in order to increase the thermal inertia and, for those installations with a low water-capacity, avoiding that the chilling generator is continually working. These tanks are made in galvanized mild steel.

APPLICATION

Storage of chilled water for air conditioning systems.

EXTERNAL LINING

Blue skai with plastic black caps for connections.

ANTI-CORROSION TREATMENT

These tanks are galvanized inside and outside, with immersion in a pool of fused zinc with pureness not below 99,99% (Uni EN 1179).

INSULATION

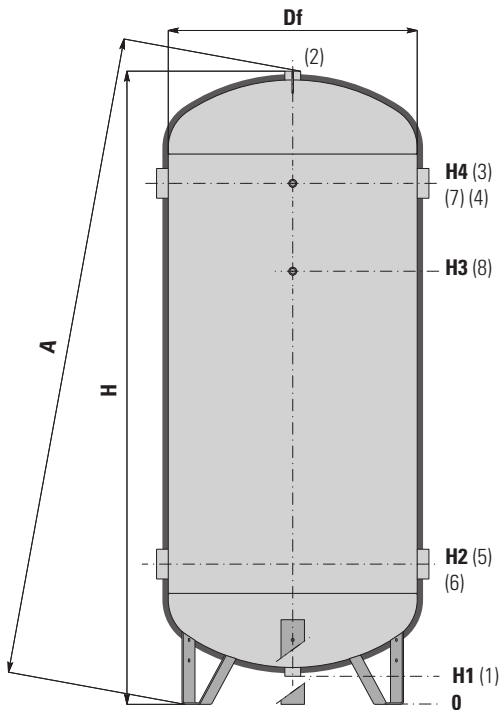
20 mm fixed polyethylene not subject to condensation. Not self-extinguishing version. Not removable from the tank.

20 mm not self-extinguishing insulation.

WARRANTY

2 years

See general sales conditions and warranty.



| Model | ACQ. REF. ZC 20 VT (20 MM NOT SELF-EXTINGUISHING INSULATION) |
|-------|---|
| | Art. Nr. |
| 100 | 3001162130001 |
| 200 | 3001162130002 |
| 300 | 3001162130003 |
| 500 | 3001162130004 |
| 800 | 3001162130005 |
| 1000 | 3001162130006 |
| 1500 | 3001162130107 |
| 2000 | 3001162130108 |
| 2500 | 3001162130113 |
| 3000 | 3001162130109 |
| 4000 | 3001162130110 |
| 5000 | 3001162130112 |

| | |
|-------|---|
| 1 | Drain |
| 2 | Safety Valve |
| 3 - 4 | To the System |
| 5 - 6 | |
| 7-8 | Connection for instrumentation 1/2" Gas F |

| Model | Weight | Net Volume | Df | H | A | H1 | H2 | H3 | H4 | Connections Gas F | | |
|-------|--------|------------|------|------|------|-----|-----|------|------|-------------------|-------|------|
| | [Kg] | [litres] | | | | | | | | [mm] | | |
| 100 | 32 | 101 | 400 | 1006 | 1017 | 73 | 287 | 592 | 792 | 1"1/4 | 1"1/2 | 1/2" |
| 200 | 53 | 190 | 450 | 1407 | 1415 | 68 | 297 | 927 | 1177 | 1"1/4 | 1"1/2 | 1/2" |
| 300 | 67 | 292 | 550 | 1518 | 1529 | 129 | 404 | 994 | 1244 | 1"1/4 | 2" | 1/2" |
| 500 | 101 | 501 | 650 | 1810 | 1821 | 121 | 441 | 1241 | 1491 | 1"1/4 | 3" | 1/2" |
| 800 | 147 | 788 | 750 | 2108 | 2119 | 108 | 458 | 1458 | 1758 | 1"1/4 | 3" | 1/2" |
| 1000 | 170 | 1034 | 850 | 2162 | 2178 | 96 | 479 | 1479 | 1779 | 1"1/2 | 3" | 1/2" |
| 1500 | 183 | 1432 | 950 | 2351 | 2386 | 121 | 490 | 1700 | 2000 | 2" | 3" | 1/2" |
| 2000 | 219 | 1970 | 1100 | 2421 | 2437 | 105 | 509 | 1719 | 2019 | 2" | 3" | 1/2" |
| 2500 | 274 | 2300 | 1250 | 2289 | 2304 | 149 | 619 | 1519 | 1819 | 2" | 4" | 1/2" |
| 3000 | 321 | 2908 | 1250 | 2804 | 2826 | 149 | 619 | 1919 | 2319 | 2" | 4" | 1/2" |
| 4000 | 442 | 3749 | 1400 | 2878 | 2904 | 133 | 648 | 1948 | 2348 | 2" | 4" | 1/2" |
| 5000 | 565 | 4964 | 1600 | 2916 | 2948 | 111 | 656 | 1956 | 2356 | 2" | 4" | 1/2" |